

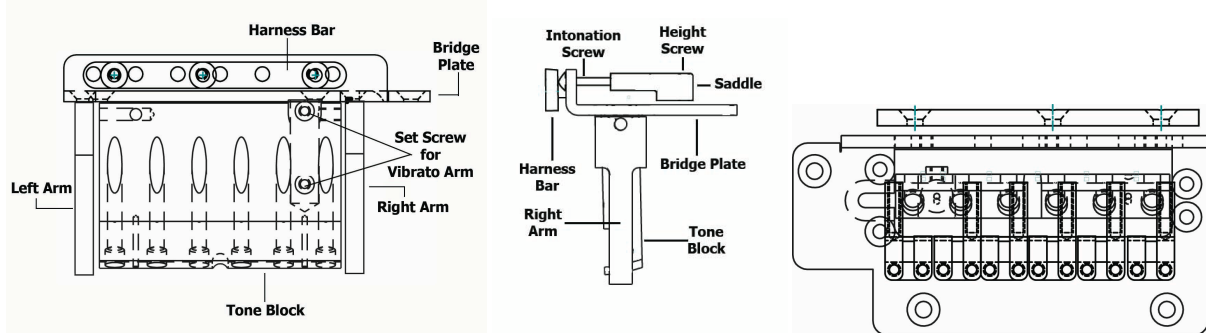
TREM KING

Package Contents

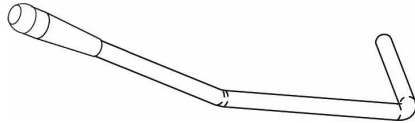
Package Contents:

1 - Insert with Warranty registration, Installation instructions, Routing Diagram, Template design

1 - Trem King Vibrato unit



1 - Vibrato Arm – NOTE: REMOVE rubber sleeve from whammy arm before inserting into the Tone Block



1 - Package of screws and springs containing:

Spring Claw – 3 pc.



Springs –

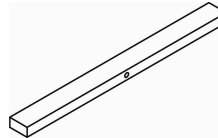
Tone Block Springs – 2 pcs. (note short hook)



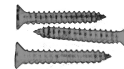
Tension Bar Spring – 1 pc (note long hook)



Tension Bar w/leather attached – 1 pc.



#6 x 1 in. Countersunk philips wood screw – 3 pcs. (TK-2 has 5 pcs.)
(for bridge mount)



#8 x 1 ½ in. Button Head philips wood screw – 3 pcs.
(for mounting spring claws)



Extra Saddle Intonation Screws -

#4 x 1 in. Button Head machine screw – 4 pcs. (TK-1 only)

#4 x ¾ in. Button Head machine screw – 4 pcs. (TK-2 only)



Allen Wrench – 1 pc

